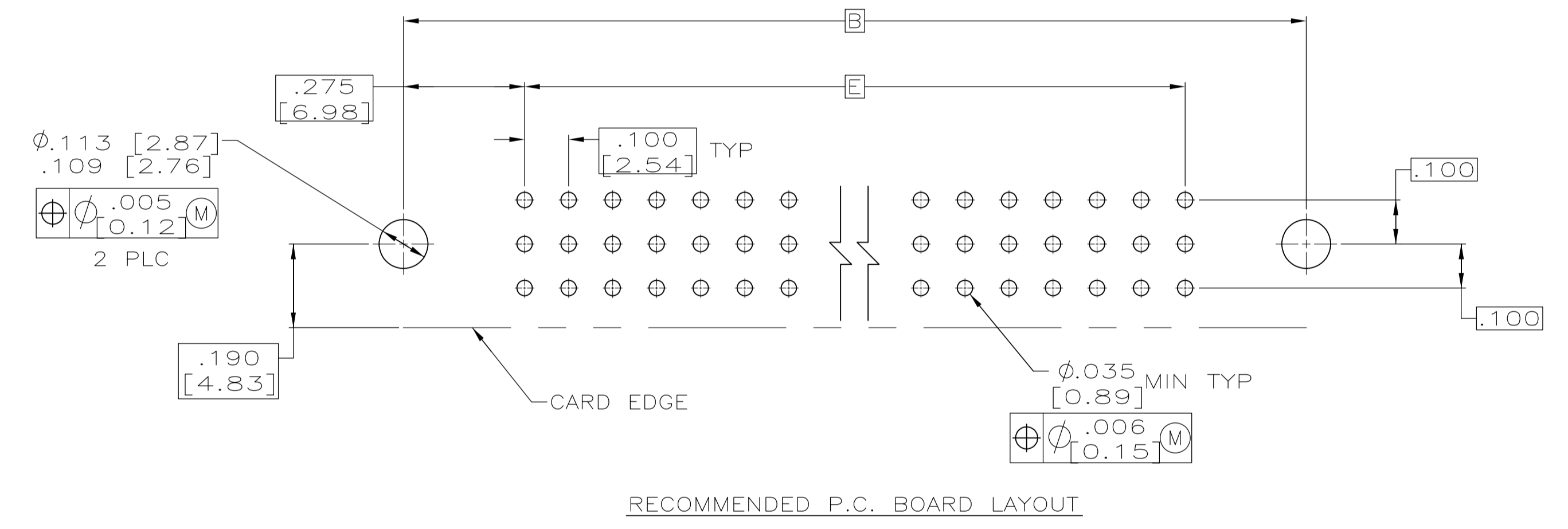
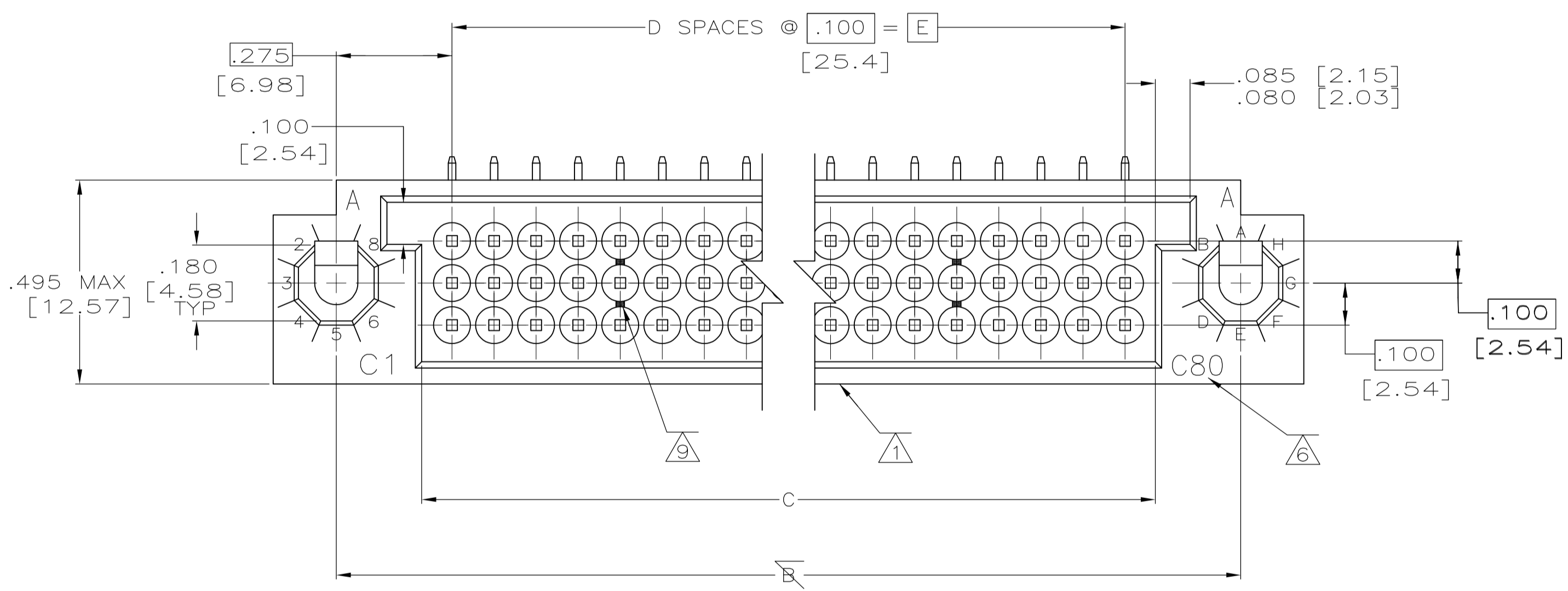
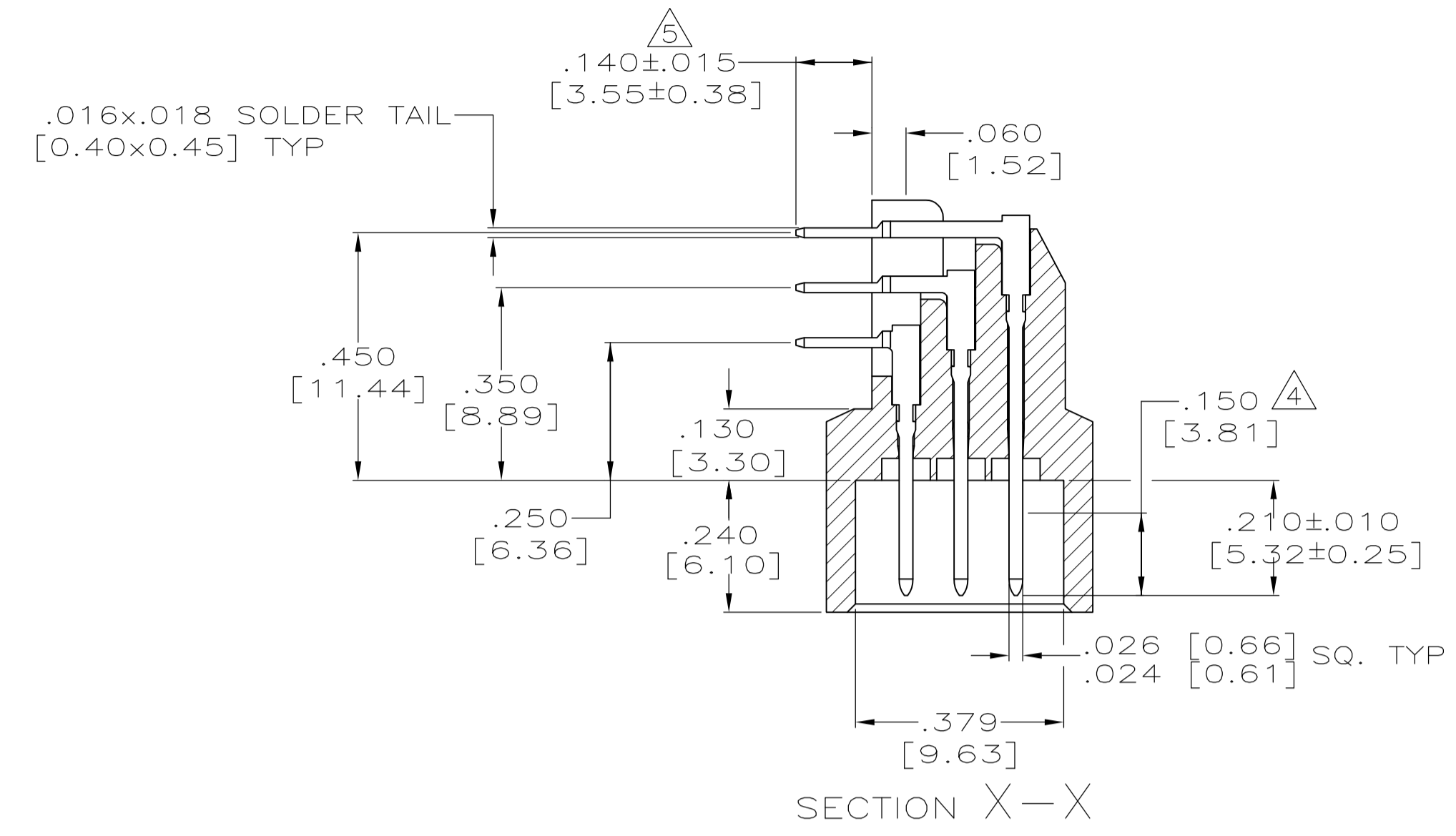
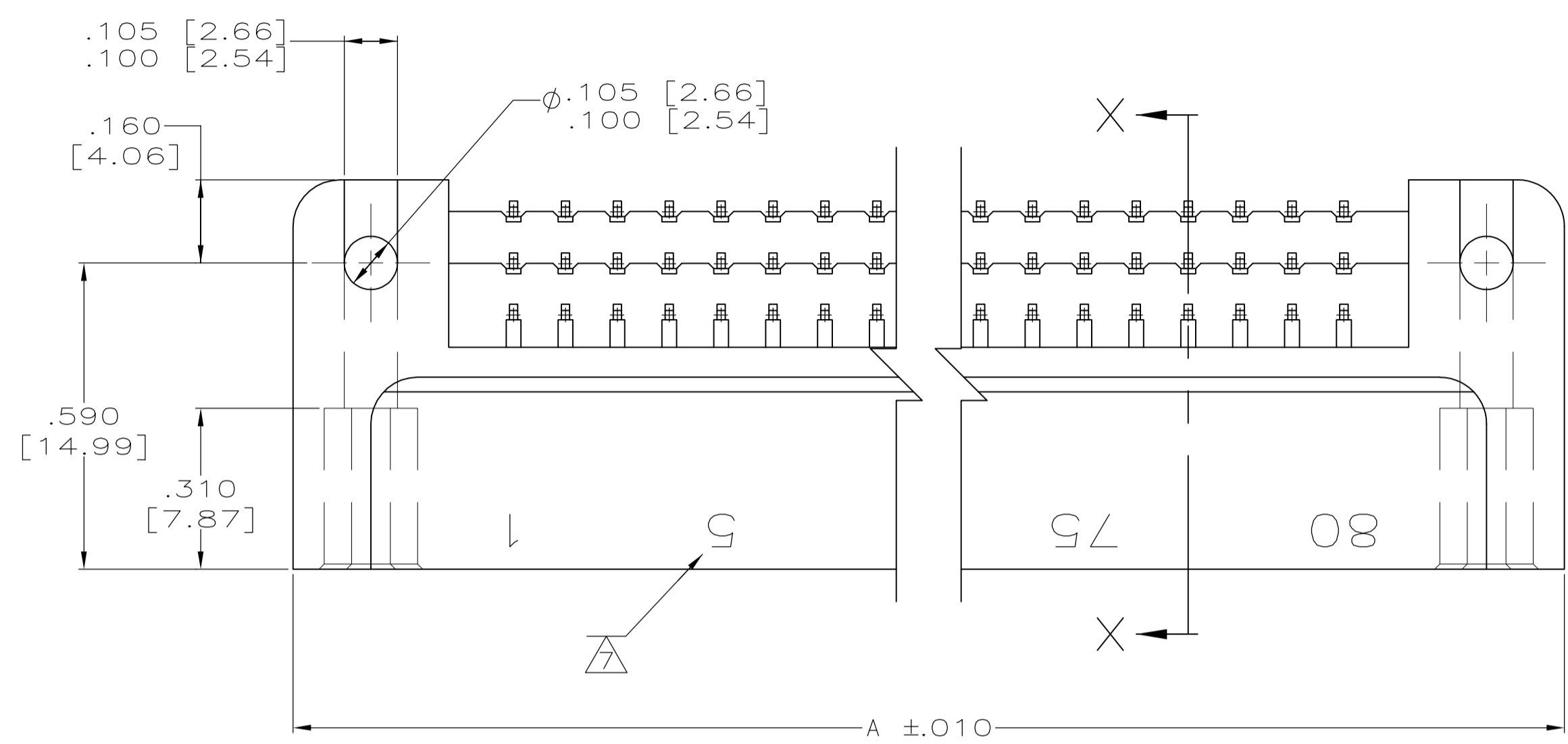


LOC		DIST		REVISIONS			
DF	FO	P	LTR	DESCRIPTION	DATE	DMN	APVD
		G1		REVISED PER ECO-11-005030	23MAR11	RK	HMR



OBSOLETE

MILITARY P/N	E	D	C	B	A	POSN.	PART NO.
M55302/129-16	6.400 [162.56]	64	6.544 [166.21]	6.950 [176.53]	7.250 [184.15]	195	1-531133-3
M55302/129-12	4.400 [111.76]	44	4.544 [115.41]	4.950 [125.73]	5.250 [133.35]	135	1-531133-2
-	3.600 [91.44]	36	3.744 [95.10]	4.150 [105.41]	4.450 [113.03]	111	1-531133-1
-	4.100 [104.14]	41	4.244 [107.80]	4.650 [118.11]	4.950 [125.73]	126	1-531133-0
M55302/129-18	7.900 [200.66]	79	8.044 [204.31]	8.450 [214.63]	8.750 [222.25]	240	531133-8
M55302/129-17	6.900 [175.26]	69	7.044 [178.91]	7.450 [189.23]	7.750 [196.85]	210	531133-7
M55302/129-15	5.900 [149.86]	59	6.044 [153.51]	6.450 [163.83]	6.750 [171.45]	180	531133-6
M55302/129-14	5.400 [137.16]	54	5.544 [140.81]	5.950 [151.13]	6.250 [158.75]	165	531133-5
M55302/129-13	4.900 [124.46]	49	5.044 [128.11]	5.450 [138.43]	5.750 [146.05]	150	531133-4
M55302/129-11	3.900 [99.06]	39	4.044 [102.71]	4.450 [113.03]	4.750 [120.65]	120	531133-3
M55302/129-10	3.400 [86.36]	34	3.544 [90.01]	3.950 [100.33]	4.250 [107.95]	105	531133-2
M55302/129-09	2.900 [73.66]	29	3.044 [77.31]	3.450 [87.63]	3.750 [95.25]	90	531133-1

- 1 MILITARY PART NO., 00779, DATE CODE, PART NO. AND AMP MARKED THIS SIDE.
- 2 HOUSING MAT'L: POLYPHENYLENE SULFIDE, GST-40F PER MIL-M-24519. COLOR: BROWN
- 3 CONTACT MAT'L: BRASS PER QQ-B-626.
- 4 CONTACT FINISH: .000050" [0.00127] GOLD OVER .000050" [0.00127] NICKEL IN CONTACT AREA.
- 5 CONTACT FINISH: .000100" [0.00254] TIN-LEAD OVER .000050" [0.00127] NICKEL
- 6 LETTERS INDICATING OUTSIDE ROWS AND NUMBERS INDICATING END CAVITIES (ROW C ONLY) MARKED THIS SURFACE.
- 7 NUMBERS INDICATING EVERY FIVE CAVITIES MARKED, BOTH SIDES.
- 8 MEETS ALL REQUIREMENTS OF MIL-C-55302.
- 9 LINES INDICATING EVERY FIVE CAVITIES STAMPED ON MATING FACE, EXCEPT END CAVITIES, STARTING AT POSN. #1.

THIS DRAWING IS A CONTROLLED DOCUMENT.

DIMENSIONS: INCHES[mm]

TOLERANCES UNLESS OTHERWISE SPECIFIED:

0 PLC	± .005
1 PLC	± .005
2 PLC	± .005
3 PLC	± .005 [0.13]
4 PLC	± .005
ANGLES	± .005

MATERIAL:  $\Delta$  3 FINISH:  $\Delta$  3

APPROVED: T. ALEXANDER 8-5-92  
 CHK: D. MILLER 11-10-92  
 APVD: W. FOLEY 11-10-92  
 PRODUCT SPEC: APPLICATION SPEC

SIZE: A1 CASE CODE: DRAWING NO: 00779-531133  
 WEIGHT: RESTRICTED TO: CUSTOMER DRAWING SCALE: 4:1 SHEET 1 OF 1 REV G1

STE TE Connectivity  
 PIN HEADER ASS'Y, RIGHT ANGLE, .100 C/L, WITH MOUNTING EARS